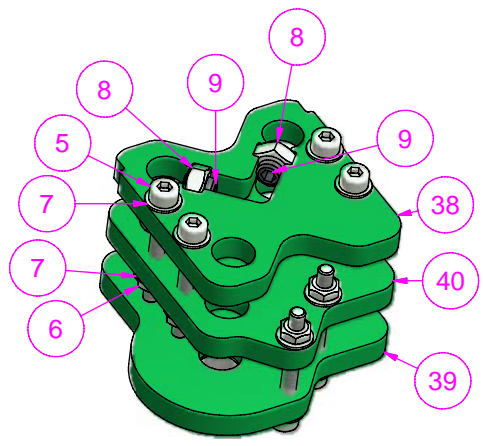
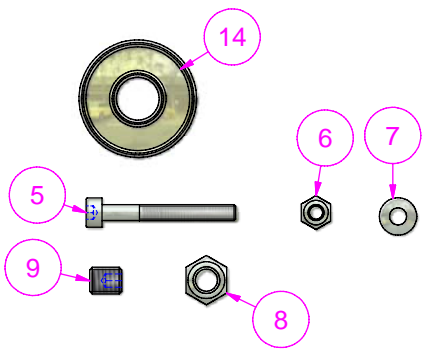
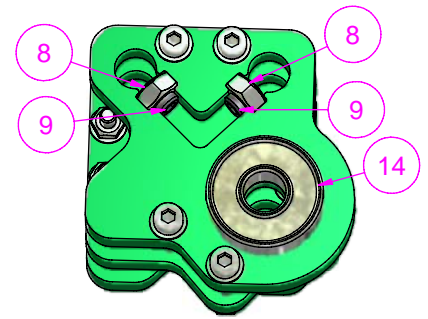
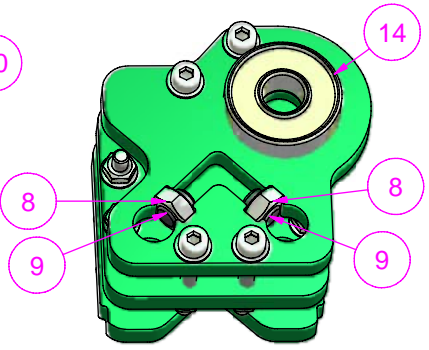
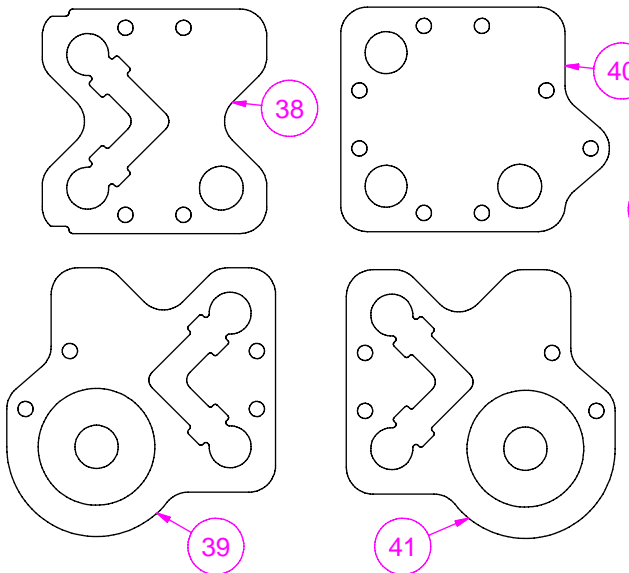
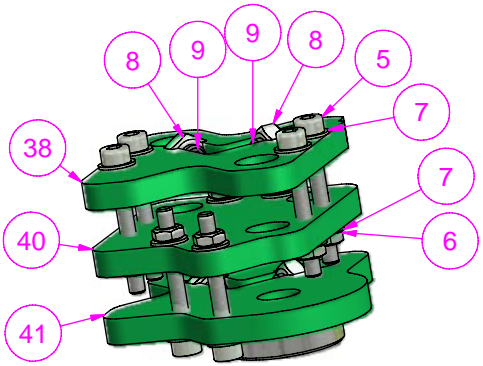



Corner Top L 2 off		
ITEM	QTY	PART NUMBER
5	8	M3 x 25 Cap Head BZP
6	8	M3 Nut Full BZP.ipt
7	16	M3 Washer BZP
8	4	M5 Nut Full BZP
9	4	M5 x 6 Grub Screw
14	1	608ZZ Bearing
38	1	Corner Top Top Y Motor
40	1	Corner Top Mid
41	1	Corner Top L Bearing



Corner Top R 2 off		
ITEM	QTY	PART NUMBER
5	8	M3 x 25 Cap Head BZP
6	8	M3 Nut Full BZP.ipt
7	16	M3 Washer BZP
8	4	M5 Nut Full BZP
9	4	M5 x 6 Grub Screw
14	1	608ZZ Bearing
38	1	Corner Top Top Y Motor
39	1	Corner Top R Bearing
40	1	Corner Top Mid

Designed by Ian Adkins	Checked by	Approved by - date	Date 19/08/2008
		Corner Blocks Top	
		Edition	Sheet 1 / 1